

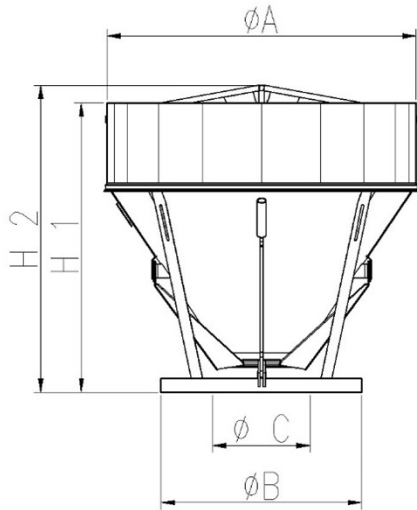
QUALITY

Commonly used standard buckets

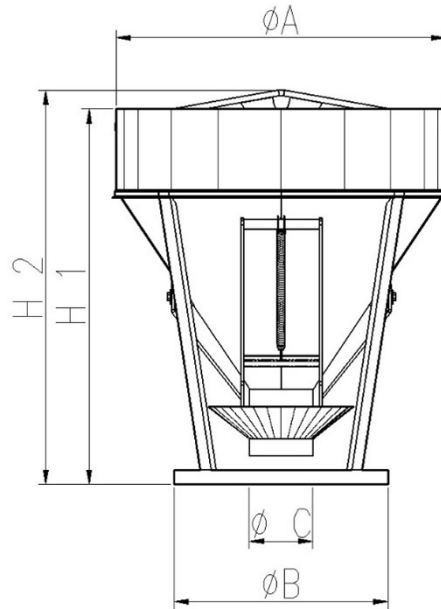


ASTRA

Bucket suitable for large and small sites for the transport of concrete with crane for slabs, floors and for flat pouring and also for transporting aggregates and gravels from different points of the site. Equipped with an opening that is very easy to use and very quick to empty. From size 500 to 2000, 500 mm discharge opening also available as option

Configurations

Astra
ITALY

Bucket widely used on construction sites and suitable for transporting concrete to fill pillars and narrow walls that have small entrances. Its flexible hose diam. 220 and its opening system with pulleys make it very easy to use and with the 5 m rope. it is the best-selling bucket on the market.


Italy

QUALITY ASTRA		011	012	012	014	015	016	017	018	019	020	021	022
Load	lt	300	400	400	650	800	800	1000	1000	1250	1500	1500	2050
Load	Kg	720	960	1200	1440	1920	1920	2500	2500	3000	3600	3600	4800
Weight	Kg	80	108	125	135	165	168	180	185	280	340	345	400
H1	mm	860	970	1070	1170	1370	1170	1290	1290	1360	1540	1540	1700
H2	mm	930	1090	1190	1290	1490	1290	1400	1400	1460	1650	1650	1850
A	mm	1050	1200	1200	1200	1200	1560	1560	1560	1500	1560	1560	1700
B	mm	740	740	740	740	740	1050	920	1050	920	920	920	920
C	mm	300	300	300	300	300	500	350	500	300	350	500	500

QUALITY ITALY		032	033	034	035	036	037	038	039
Load	lt	300	500	650	800	1000	1250	1500	2050
Load	Kg	720	1200	1440	1920	2400	3000	3600	4800
Weight	Kg	130	130	138	178	191	280	300	345
H1	mm	1125	1260	1360	1550	1480	1700	1730	2000
H2	mm	1250	1380	1480	1670	1600	1800	1840	2200
A	mm	1050	1200	1200	1200	1560	1560	1560	1560
B	mm	740	740	740	740	920	920	920	920
C	mm	200x2000	200x2000	200x2000	200x2000	200x2000	200x2000	200x2000	200x2000